

AC/DC Open Loop Hall Current Sensor CYHCS-BSR565

This Hall Effect current sensor is based on open loop principle and designed with a high galvanic isolation between primary conductor and secondary circuit. It can be used for measurement of DC and AC current, pulse currents etc. The output of the transducer reflects the real wave of the current carrying conductor.

Product Characteristics	Applications
<ul style="list-style-type: none"> • Excellent accuracy • Very good linearity • Light in weight • Less power consumption • Window structure • Electrically isolating the output of the transducer from the current carrying conductor • No insertion loss • Current overload capability 	<ul style="list-style-type: none"> • Photovoltaic equipment • Frequency conversion timing equipment • Various power supply • Uninterruptible power supplies (UPS) • Electric welding machines • Transformer substation • Numerical controlled machine tools • Electric powered locomotive • Microcomputer monitoring • Electric power network monitoring

Electrical Data

Primary Nominal Current I_r (A)	Measuring Range (A)	Output voltage (analog)	Window Sizes (mm)	Part number
50	± 150	+2.5VDC $\pm 0.625V \pm 1.0\%$	20.5x10.5	CYHCS-BSR565-050A
100	± 300			CYHCS-BSR565-100A
200	± 600			CYHCS-BSR565-200A
300	± 900			CYHCS-BSR565-300A
400	± 1000			CYHCS-BSR565-400A
500	± 1000			CYHCS-BSR565-500A
600	± 1000			CYHCS-BSR565-600A

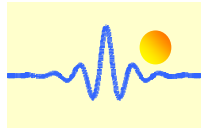
Supply Voltage
Current Consumption
Galvanic isolation, 50/60Hz, 1min:
Isolation resistance @ 500 VDC

$V_{cc} = +5V \pm 5\%$,
 $I_c < 25mA$
2.5kV
> 500 MΩ

Accuracy and Dynamic performance data

Accuracy at I_r , $T_A=25^\circ C$ (without offset),
Linearity from 0 to I_r , $T_A=25^\circ C$,
Zero Output Voltage, $T_A=25^\circ C$,
Reference output voltage:
Electric Offset Voltage
Magnetic Offset Voltage ($I_r \rightarrow 0$)
Thermal Drift of Offset Voltage,
Thermal Drift of Rated Output Voltage
Frequency bandwidth (- 3 dB):
Response Time at 90% of I_P ($f=1k$ Hz)

<1.0% FS
<1.0% FS
+2.5VDC $\pm 0.5\%$ FS
VR=+2.5VDC $\pm 0.5\%$ FS
< $\pm 10mV$
< $\pm 10mV$
< $\pm 0.2mV/^\circ C$
< $\pm 0.4mV/^\circ C$
DC-50kHz
< 3 μs

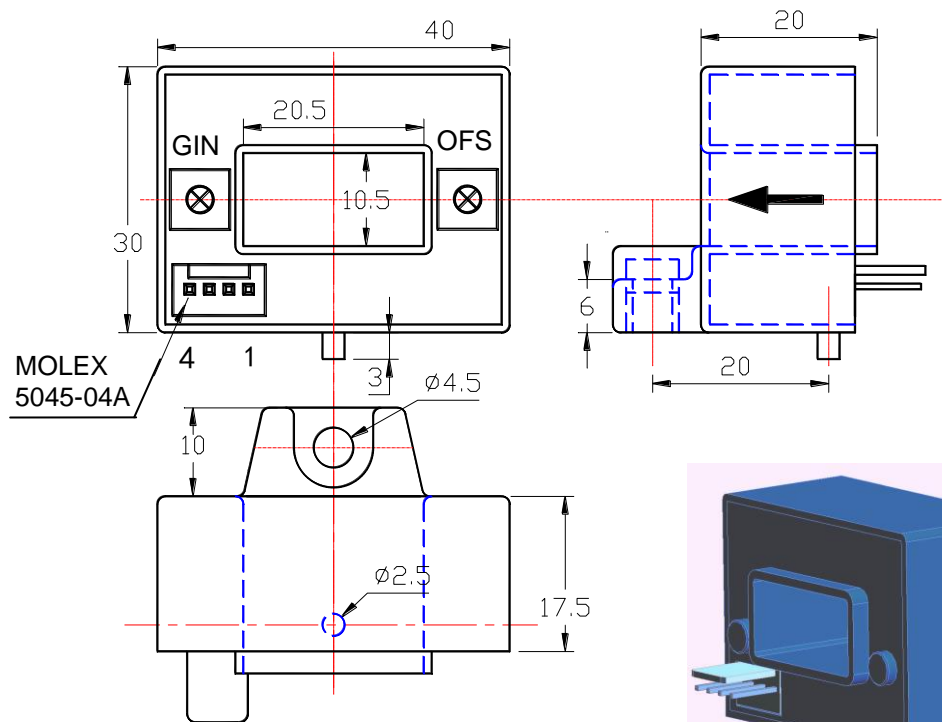


General Data

Ambient Operating Temperature,
Ambient Storage Temperature,

$T_A = -25^{\circ}\text{C} \sim +85^{\circ}\text{C}$
 $T_S = -40^{\circ}\text{C} \sim +100^{\circ}\text{C}$

PIN Definition and Dimensions



Pin Arrangement:

1: +5VDC; 2: Ground; 3: Output; 4: VR (+2.5V)

Notes:

1. Connect the terminals of power source, output respectively and correctly, never make wrong connection.
2. Two potentiometers can be adjusted, only if necessary, by turning slowly to the required accuracy with a small screwdriver.
3. The best accuracy can be achieved when the window is fully filled with bus-bar (current carrying conductor).
4. The in-phase output can be obtained when the direction of current of current carrying conductor is the same as the direction of arrow marked on the transducer